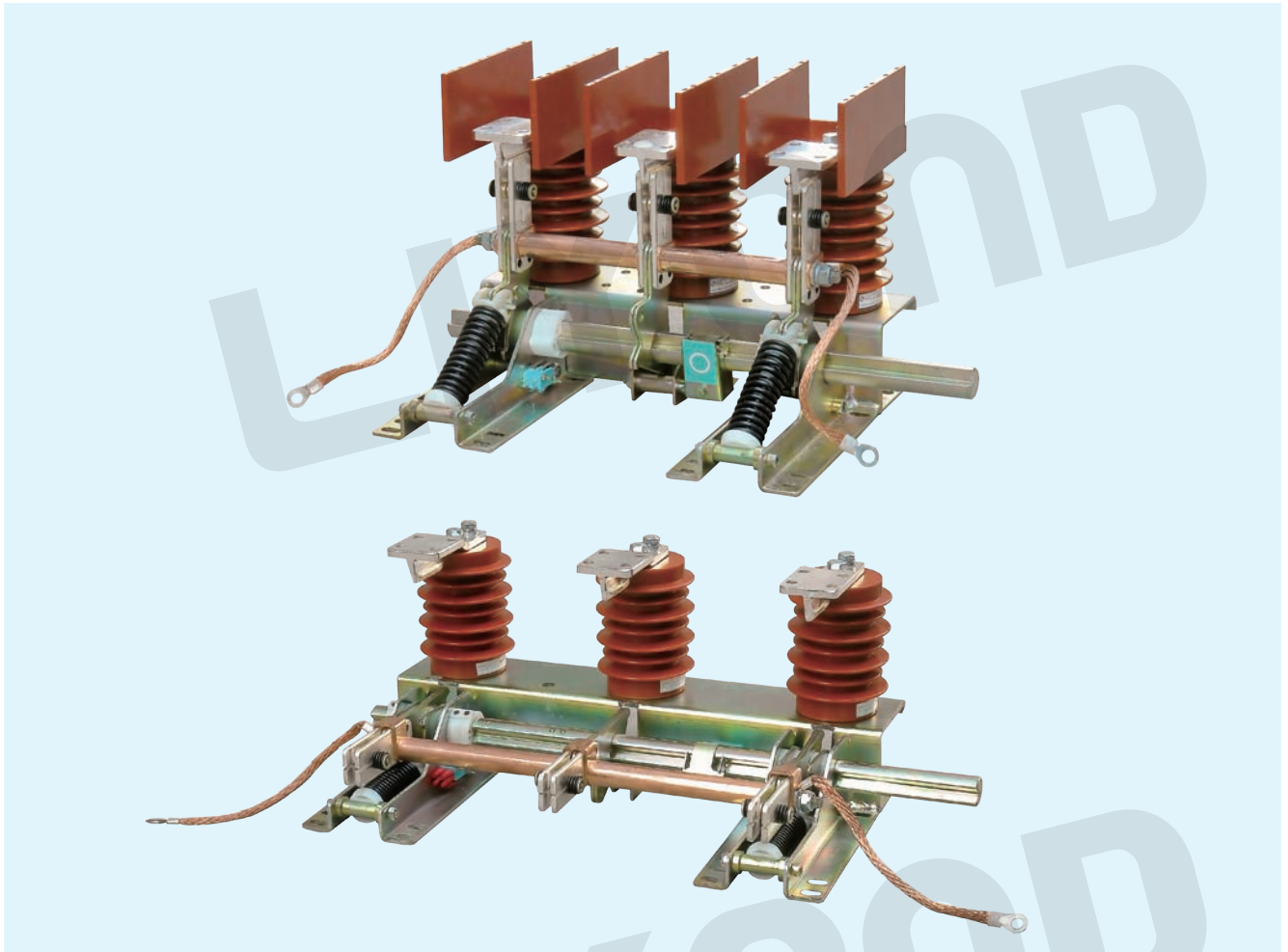




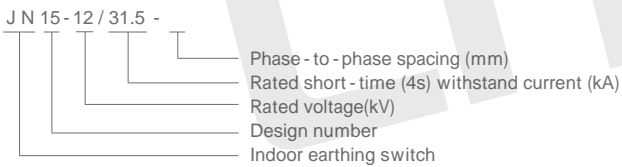
12KV EARTHING SWITCH SERIES

Product No.: LYE102

Name: JN15-12/31.5 Indoor AC high voltage earthing switch



Model and meaning



Summary

JN15-12/31.5 indoor AC high voltage earthing switch is an advanced level product with high-tech parameters performance improved on the basis of ES1 earthing switch. After comprehensive evaluation, it conforms to GB1985 AC HV disconnect switch and earthing switch and IEC129, applies to power system of 3-12kV and three-phase AC 50(60)Hz. It owns short-circuit making capacity to protect other electric equipment not being damaged. Can be used with various high voltage switchgear, also play a protective role in the high-voltage electrical equipment overhaul.

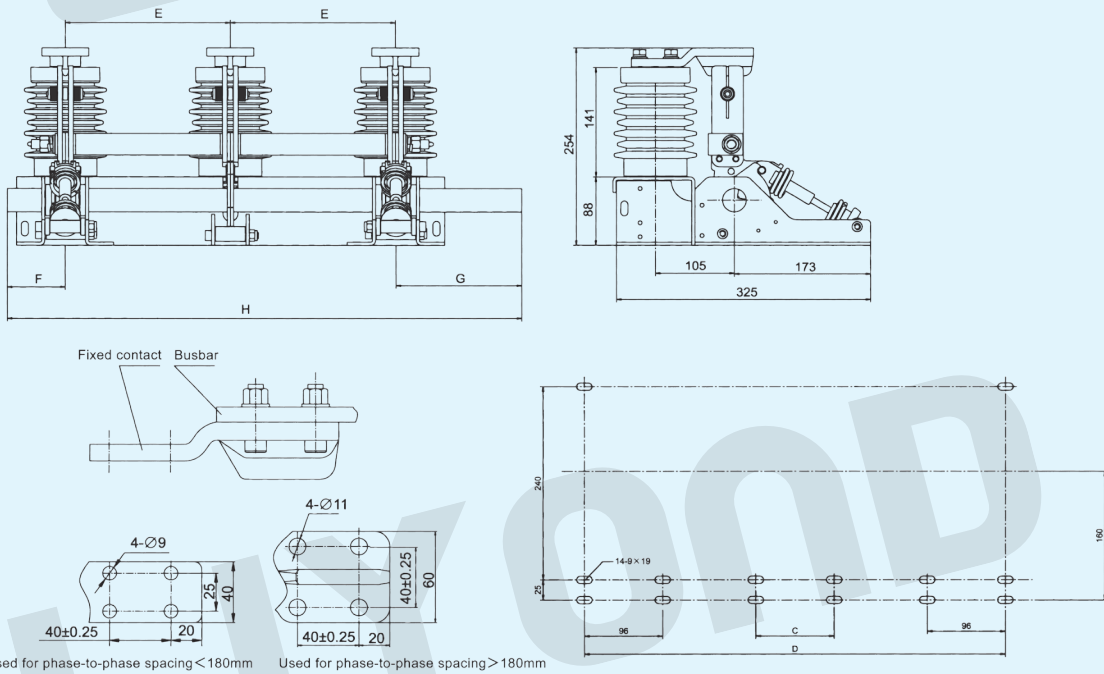


12KV EARTHING SWITCH SERIES

Ambient condition

1. Altitude: 1000m
2. Ambient temperature: -10 ~ +40
3. Earthquake intensity: 8 degree
4. Pollution level: II
5. Relative humidity: Daily average 95%
Monthly average 90%

Item		Unit	Data	
Rated voltage		kV	12	
Rated short-time withstand current		kA	31.5	
Rated short-circuit duration		s	4	
Rated short-circuit making current		kA	80	
Rated peak withstand current		kA	80	
Rated insulation level	PF withstand voltage (1 min)	kV	Phase to earth Phase to phase	42
	Lightning impulse withstand voltage			75
Mechanical endurance		Time	2000	



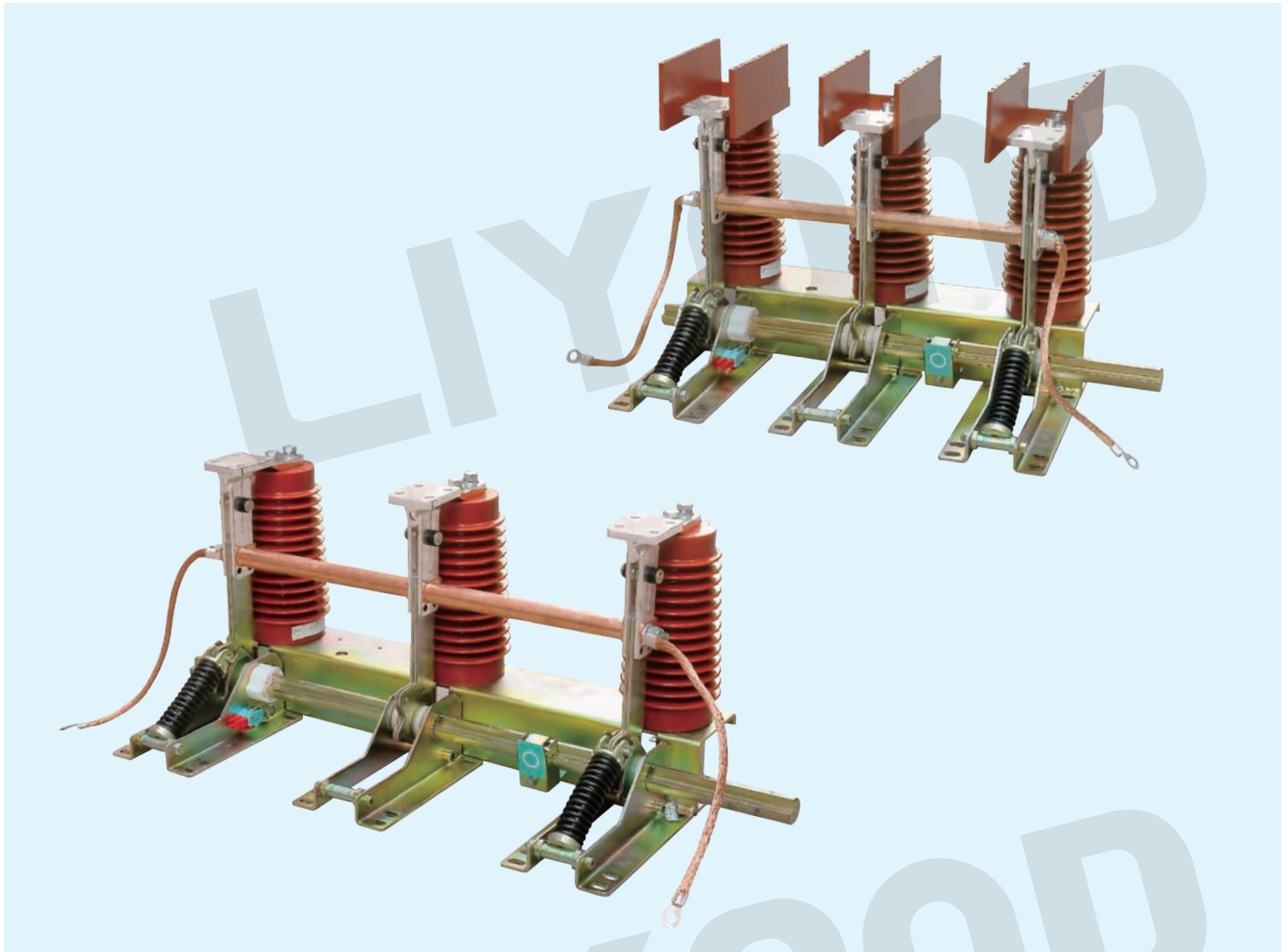
Product Model	E	F	G	H	D	C
JN15-12/31.5-165	165	75	160	565	426	
JN15-12/31.5-180	180	75	160	595	456	
JN15-12/31.5-200	200	75	160	635	496	
JN15-12/31.5-210	210	75	160	655	516	
JN15-12/31.5-220	220	75	160	675	536	
JN15-12/31.5-230	230	75	160	695	556	96
JN15-12/31.5-250	250	75	160	735	596	96
JN15-12/31.5-275	275	75	185	810	646	96



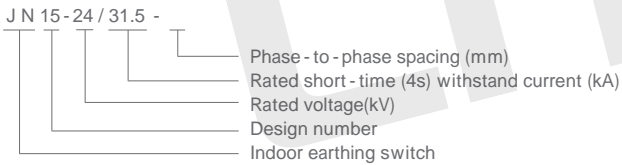
24KV EARTHING SWITCH SERIES

Product No.: LYE104

Name: JN15-24/31.5 Indoor AC high voltage earthing switch



Model and meaning



Summary

JN15-24/31.5 indoor AC high voltage earthing switch is an advanced level product with high-tech parameters performance. After comprehensive evaluation, it conforms to GB1985 and IEC62271 standard, applies to power system of 24kV and three-phase AC 50Hz. It owns short-circuit making capacity to protect other electric equipment not being damaged. Can be used with various high voltage switchgear, also play a protective role in the high-voltage electrical equipment overhaul.



24KV EARTHING SWITCH SERIES

Ambient condition

1. Altitude: 1000m
2. Ambient temperature: -10 ~ +40
3. Earthquake intensity: 8 degree
4. Pollution level: II
5. Relative humidity: Daily average 95%,
Monthly average 90%

Item		Unit	Data	
Rated voltage		kV	24	
Rated short - time withstand current		kA	31.5	
Rated short - circuit duration		s	4	
Rated short - circuit making current		kA	80	
Rated peak withstand current		kA	80	
Rated insulation level	PF withstand voltage (1 min)	kV	Phase to earth	65
	Lightning impulse withstand voltage		Phase to phase	125
Mechanical endurance		Time	2000	

